

Reconfigurable Wavelength Blocker

(patents pending)

Product Description

The Agiltron's Reconfigurable Wavelength Blocker (WB) is designed for reconfigurable switching and routing application in optical communication network. It attenuates and blocks any number of wavelengths in the C or L band at 50 GHz or 100 GHz channel spacing. Any or all of the wavelengths enter the device, and any selection of these wavelengths is simultaneously attenuated to any level, or the wavelengths are blocked altogether. The wavelength Blocker is remotely reconfigured to select other wavelengths, and each wavelength power level is independently controlled via an electric signal. This is a extremely cost effective subsystem for the next generation of optical communications networks.

Performance Specifications

Parameter	Min	Typical	Max	Unit
Wavelength Range	C Band or L Band			
Channel Spacing	50GHz or 100GHz			
Channel Insertion Loss		5.0	6.0	dB
Intra-Channel Ripple		0.3	0.4	dB
Channel Uniformity		1.0	1.2	dB
Polarization Dependent Loss (< 5 dB Attenuation)		0.3	0.4	dB
Polarization Dependent Loss (5~10 dB Attenuation)		0.5	0.6	dB
Tunable Attenuation Rang	0		20	dB
Attenuation Step Size	0.1			dB
Attenuation Accuracy			0.3	dB
Extinction Ratio, delta between IL and Max Attenuation	36	40		dB
Return Loss	35	40		dB
Optical Power Handling			25	dBm
Operating Temperature	-5		70	°C
Storage Temperature	-40		80	°C
Fiber Type	Corning SMF28			
Package Dimension (Max.)	(L)168x(W)88x(H)28 mm			

Features

- Dynamic power equalization
- Flat and wide pass bands
- Low insertion loss and PDL
- Low dispersion
- C band or L band
- Ultra-high reliability
- Compact size
- Low cost
- Low power consumption

Applications

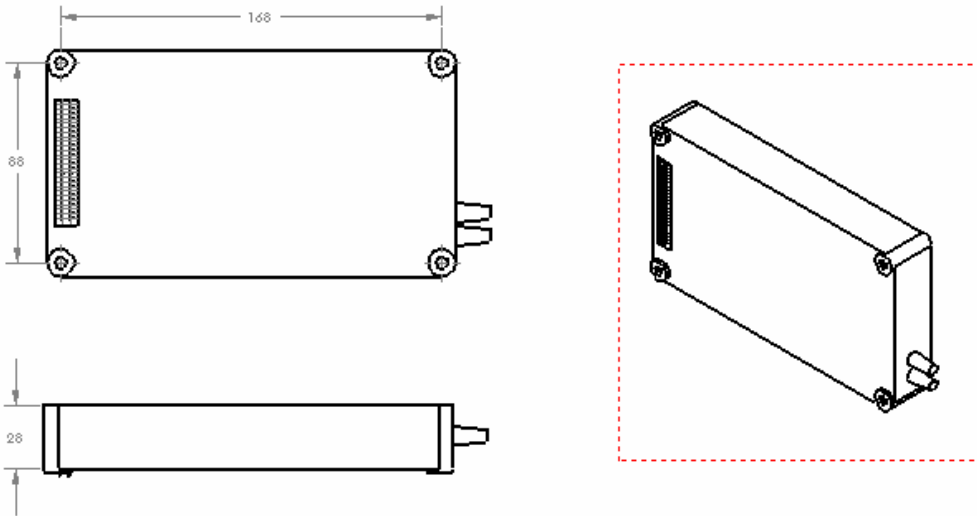
- Dynamic wavelength management
- Network protection and restoration
- Reconfigurable optical add/drop multiplexers
- Dynamic capacity provisioning

Reconfigurable Wavelength Blocker

Electrical Requirements

RS-232 interface and Windows™ GUI

Mechanical Footprint Dimensions (mm)



Ordering Information

RCWB-	1 1	<input type="checkbox"/>	<input type="checkbox"/>	<input type="checkbox"/>	<input type="checkbox"/>	<input type="checkbox"/>	<input type="checkbox"/>
	Configuration	Wavelength	ITU Channel	Spacing	Fiber Type	Fiber Length	Connector
		C band=C L band=L Special=0	40 channels=40 80 channels=80 Special=00	50G=5 100G=1 Special=0	SMF-28 250um=1 SMF-28 900um=3 Special=0	0.25m=1 0.5m=2 1.0 m=3 Special=0	None=1 FC/PC=2 FC/APC=3 SC/PC=4 SC/APC=5 ST/PC=6 LC=7 Special=0