

2 μm High Power Fiber Collimator With Isolator (50W CW)

(patents pending)

Product Description

This 2 μm passive device transmits high power light from input fiber into a collimated output light beam into free space while blocking the unwanted light from back reflection and scattering. Agiltron's proprietary magnetic-optics technology and advanced micro-optic technique enable industrial leading performance in power handling, low loss, reliability, and cost effective. Agiltron currently provides a full range of polarization-independent, polarization maintaining, and custom design versions with a broad wavelength coverage and various output beam diameters. We have experience to incorporate special fibers.

Features

- High Power Handling
- High Isolation
- High Reliability
- Low IL, PDL & TDL
- Cost Effective

Performance Specifications

FSOI High power Isolator	Min	Typical	Max	Unit
Operation Wavelength	1940	2000	2050	nm
Insertion Loss	1	0.6	0.8	dB
Isolation	22	25		dB
Polarization Dependent Loss		0.1	0.2	dB
Polarization Mode Dispersion		0.1	0.2	ps
Return Loss	45	50		dB
Optical Power Handling**			50	W
Beam Size	0.4	1		mm
Fiber Type	See Order Information			
Loss Stability		0.2 (15W/CW)		dB
Storage temperature	-10 to 60			°C
Storage Humidity	5% to 95% (No Condensation)			
Pointing	1deg. Horiz. and Vertical from standard plane			
Package Dimension (Body)	Ø42x20x16			mm

Note:
 * Measured without connectors
 ** Continuous operation, for pulse operation call
 *** It is available for larger beam size of 1-5 mm but the package size may change.

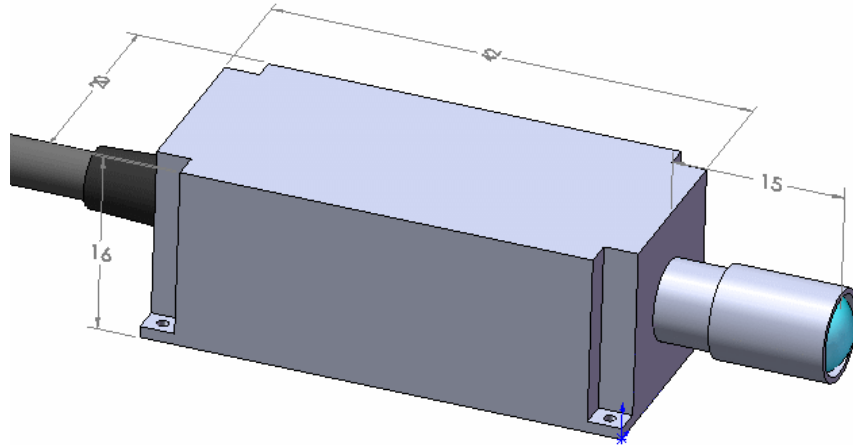
Applications

- Laser Pump Source
- Optical Fiber Amplifier
- Laser Manufacturing
- laser Marking

High Power Fiber Collimator With Isolator

(50W CW) (patents pending)

Mechanical Footprint Dimensions (mm)



Ordering Information

FSOI-	<input type="checkbox"/>	<input type="checkbox"/>	<input type="checkbox"/>	<input type="checkbox"/>	<input type="checkbox"/>	<input type="checkbox"/>	<input type="checkbox"/>	<input type="checkbox"/>
Type	Wavelength	Power handling	Beam size	Fiber Type		Fiber Length	Connector	
Regular=11 PM=12 Special=00	2000=1 Special=0	10W=1 20W=2 30W=3 50W=5	0.4mm=1 1.0mm=2 Special=0 (@1/e ²)	SMF28=2 PM 1550=5 Special=0	Bare fiber=1 900um loose tube=3 Armor cable=5 Special=0	0.25M=1 0.5M=2 1.0 M=3 Special=0	None=1 FC/PC=2 FC/APC=3 SC/PC=4 SC/APC=5 ST/PC=6 LC=7 Special=0	