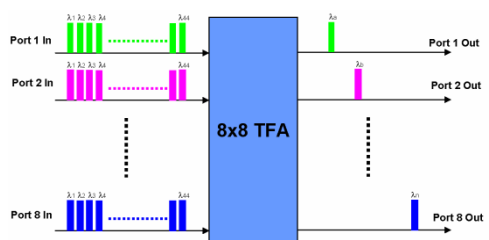


Flat-Top 8 Channel Tunable Filter Array

(patents pending)

Product Description

Based on proprietary LCD array and grating technology, Agiltron offers Optic Tunable Filter Array (TFA) with up to 8 filter arrays combined in one compact module. The TFA provides precision ITU grid locking and dynamic channel reconfiguration without moving parts and channel interruption. The modules cover C and L bands with a channel space of 50 GHz and/or 100 GHz. It is hitless tunable over a wide spectral range up to 80 nm, handling up to 100 channels. This is a cost effective subsystem for the next generation of optical communication networks. The TFA has a build-in RS 232 computer control interface.



Performance Specifications

Parameter	Min	Typical	Max	Unit
Wavelength Range	C Band and L Band			
Insertion Loss (channel)		6.5	7	dB
Insertion Loss Uniformity (port)		1	1.2	dB
Insertion Loss Ripple (channel)		0.5	0.7	dB
Polarization Dependent Loss		0.5	0.6	dB
Polarization Mode Dispersion			0.2	ps
Adjacent Channel Isolation	30			dB
Total Cross Talk	25			dB
Return Loss	45	50		dB
Channel ITU Shift			4.0	GHz
Switching Time			1	ms
Chromatic Dispersion	-10		+10	ps/nm
Group Delay Ripple	-2.0		2.0	ps
Total Full Bandwidth (0.5dB)		30	25	GHz
Total Full Bandwidth (3dB)		70	65	GHz
Optical Power Handling		200	250	mW
Operating Temperature		-5		
Storage Temperature		-40		

Features

- OADM/ROADM
- Wide tuning range
- Low insertion loss and PDL
- Flat and wide pass bands
- C band and/or L band
- Ultra-high reliability
- Compact size
- Low cost
- Low power consumption

Applications

- Reconfigurable Optical Add/Drop
- Wavelength Routing
- DWDM Networks
- Tunable Fiber Laser Sources

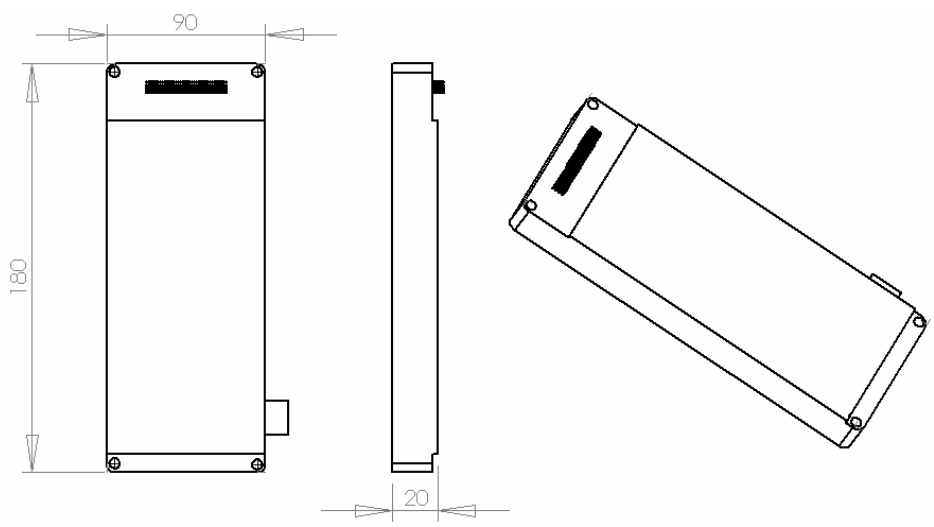


Flat-Top 8 Channel Tunable Filter Array

Electrical Requirements

RS-232 interface and Windows™ GUI

Mechanical Footprint Dimensions (mm)



Ordering Information

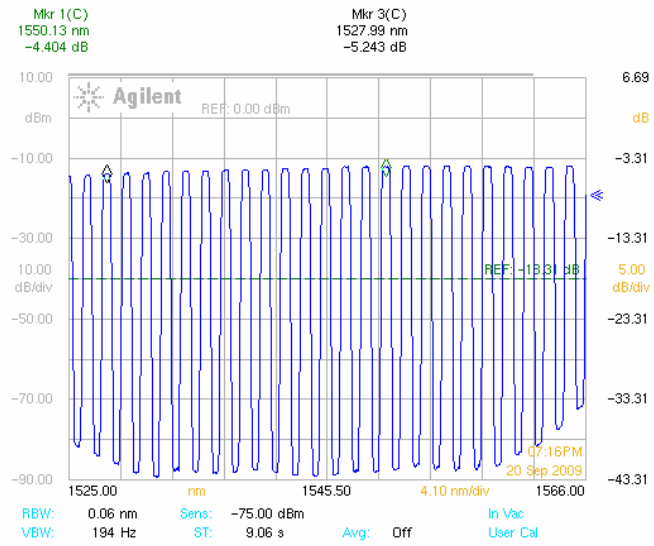
TFAA-	Port	Wavelength	ITU Channel	Spacing	Fiber Type	Fiber Length	Connector
<input type="checkbox"/> <input type="checkbox"/> <input type="checkbox"/> <input type="checkbox"/> <input type="checkbox"/> <input type="checkbox"/> <input type="checkbox"/> <input type="checkbox"/>	4 ports=04 8 ports=08 Special=00	C band=C L band=L Special=0	40 channels=40 80 channels=80 Special=00	50G=5 100G=1 Special=0	SMF-28 250um=1 SMF-28 900um=3 Special=0	0.25m=1 0.5m=2 1.0m=3 Special=0	None=1 FC/PC=2 FC/APC=3 SC/PC=4 SC/APC=5 ST/PC=6 LC=7 Special=0



Flap-top 8 Channel Tunable Filter Array

Typical Performance Charts

In



Out

